

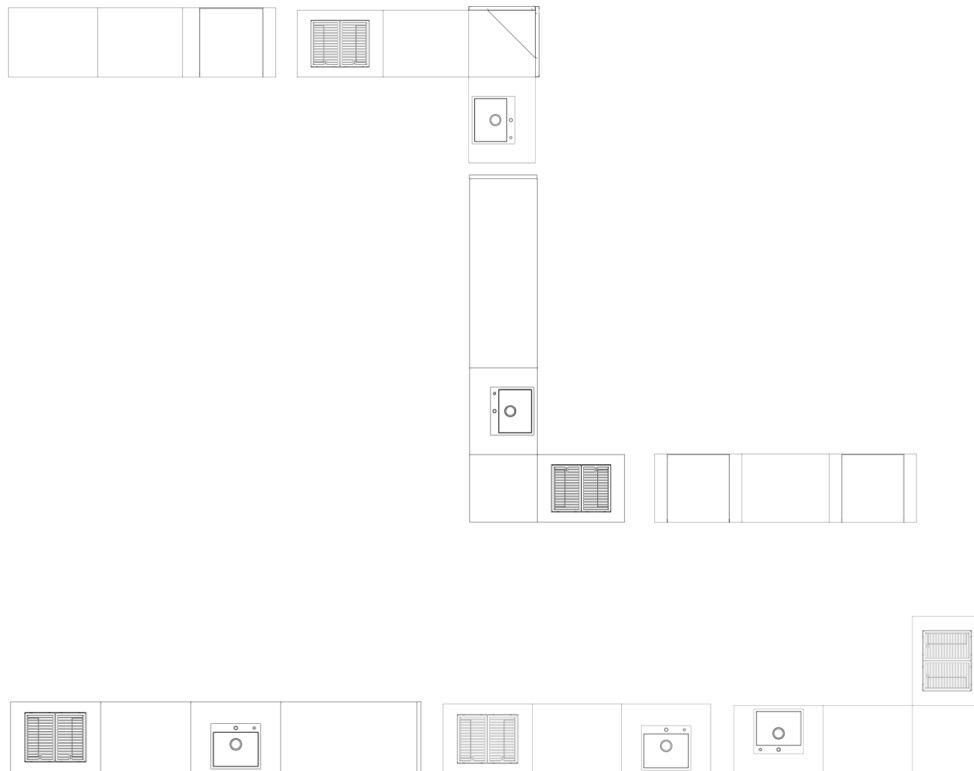


outdoor kitchens

modular outdoor kitchens

a new constructional logic

easy to design and install





mod. A



mod. C

mod. A

mod. C

no limit to combinations

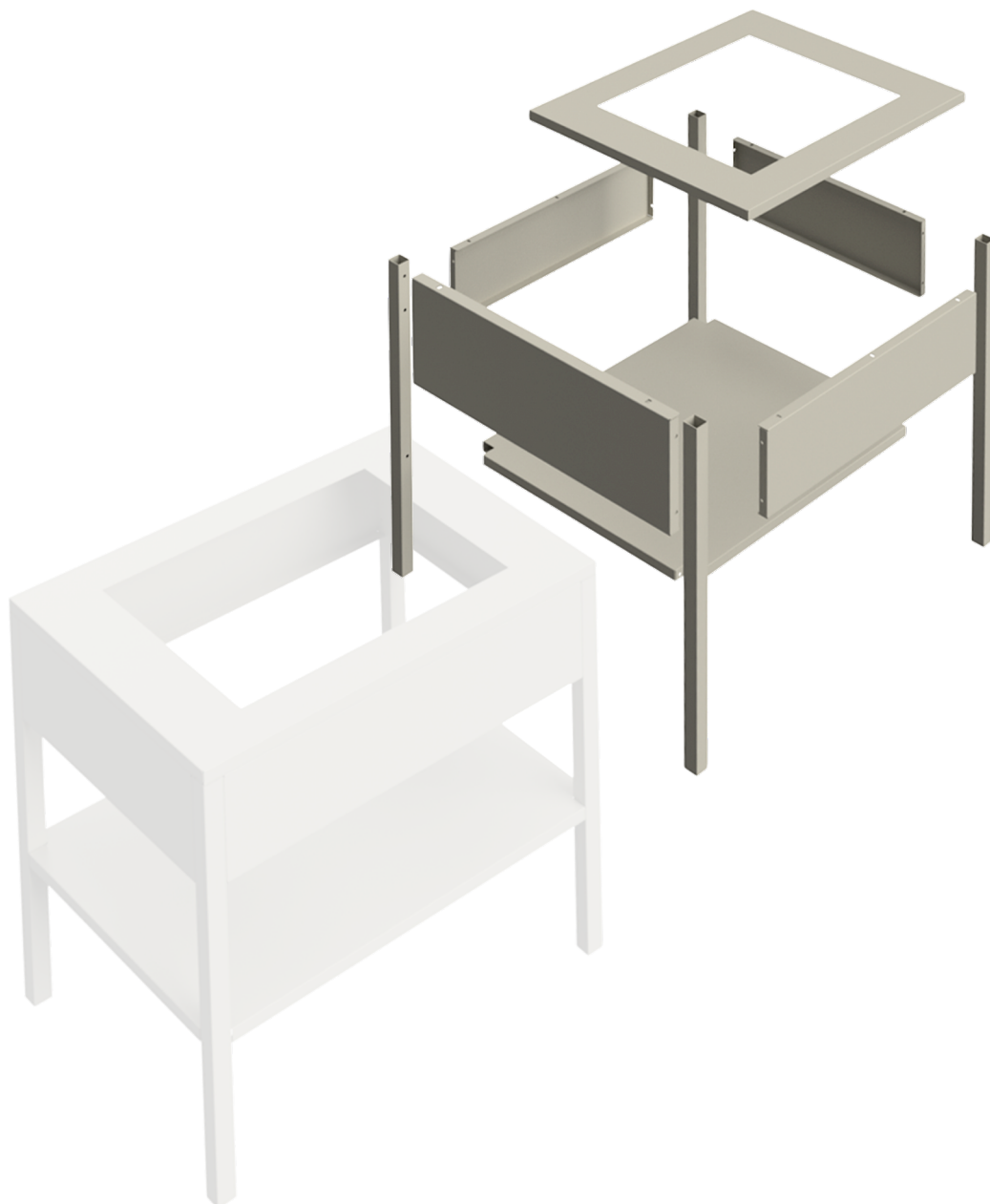
easily assembled on site

columns, sides, worktop

columns, sides, worktop

columns, sides, worktop

columns, sides, worktop



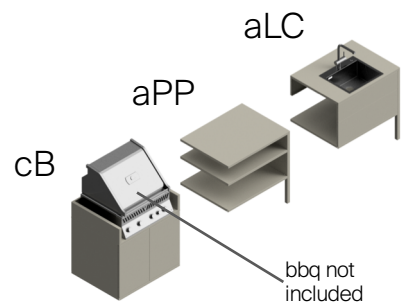
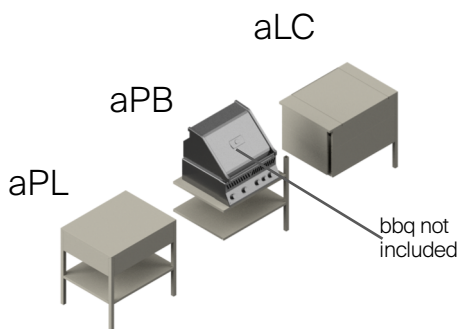
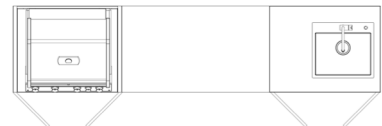
A



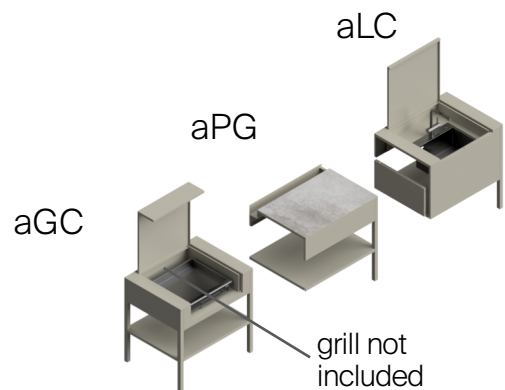
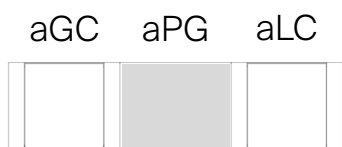
aPL aPB aLC



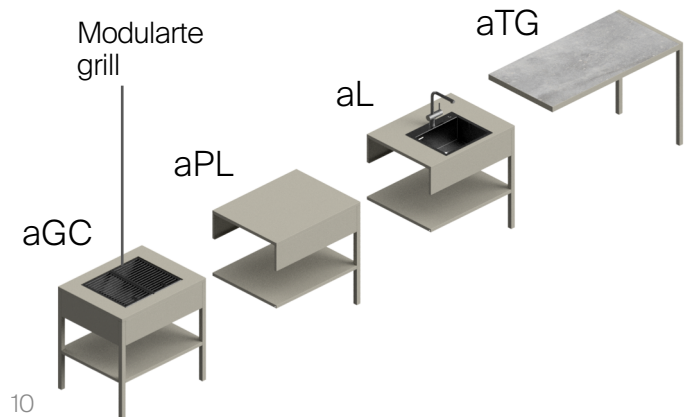
cB aPP aLC



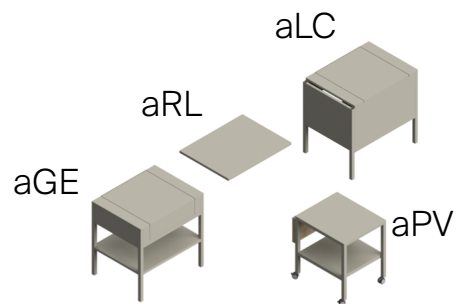
A



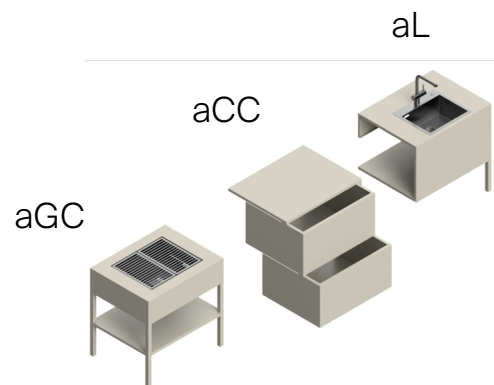
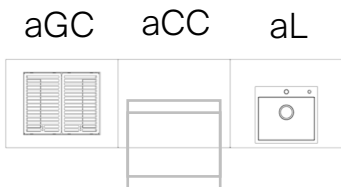
A



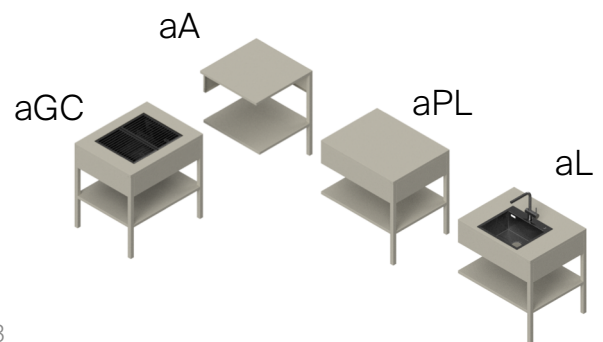
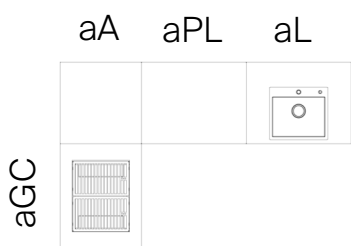
A



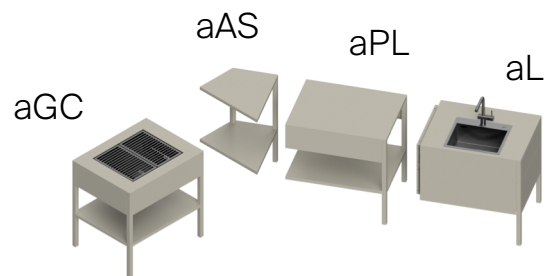
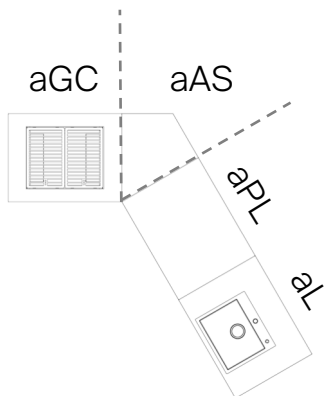
A



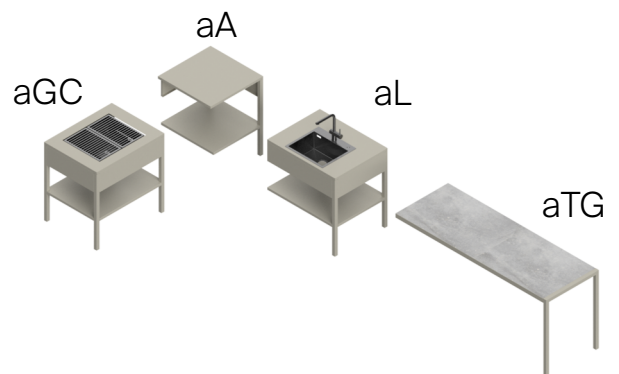
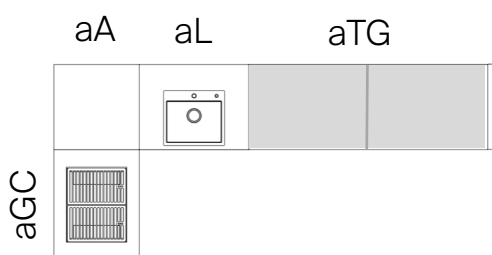
A



A



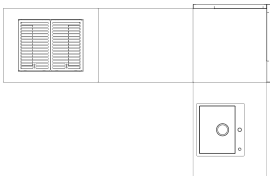
A



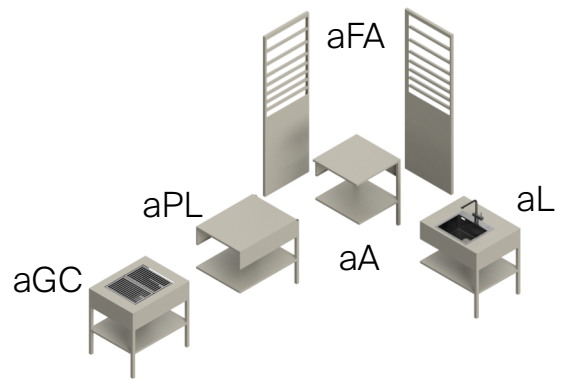
A



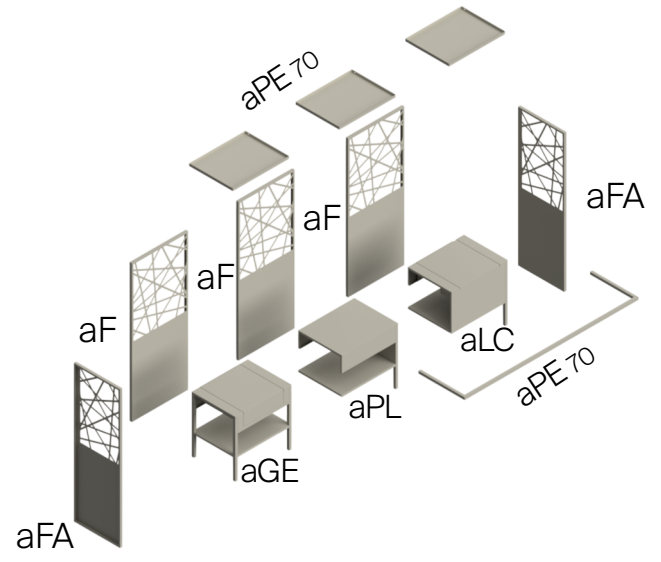
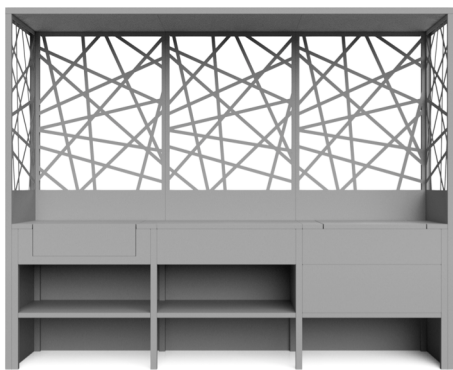
aGC aPL aA



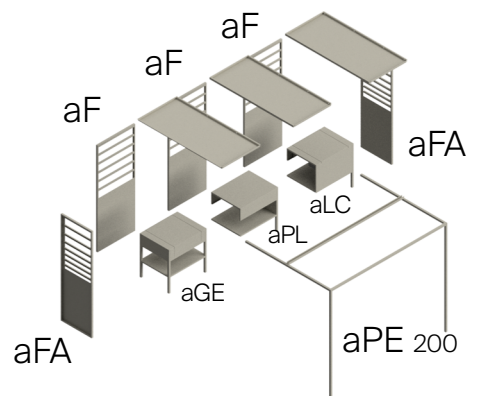
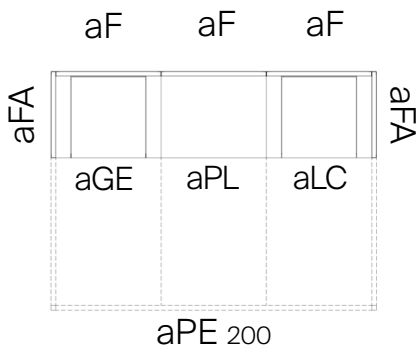
aFA
aL



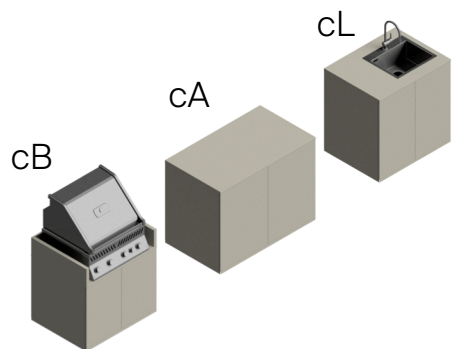
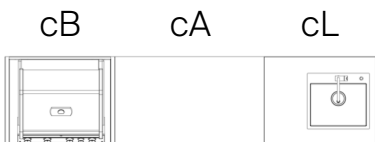
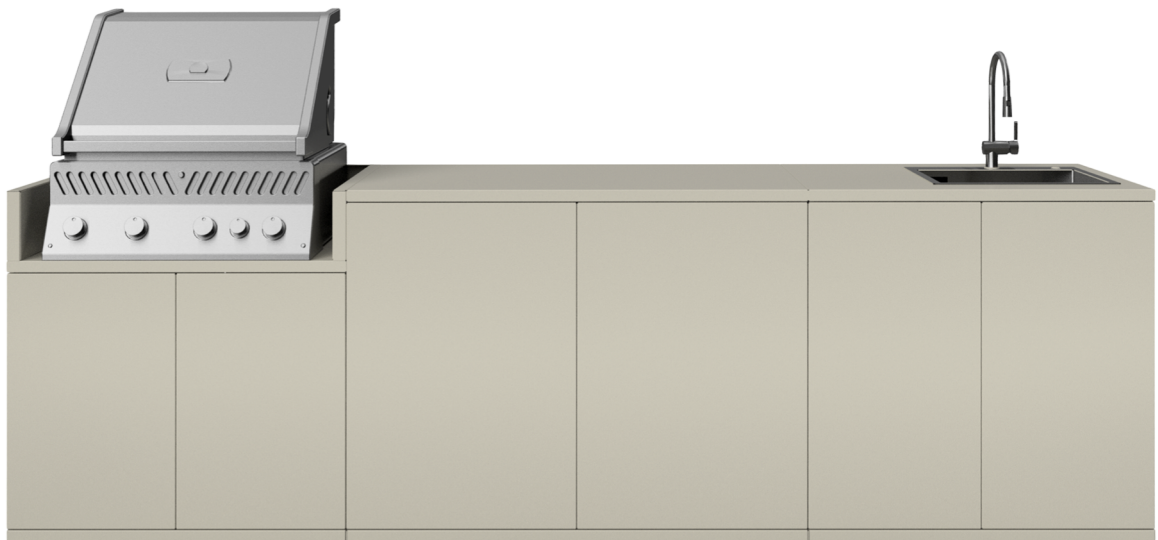
A



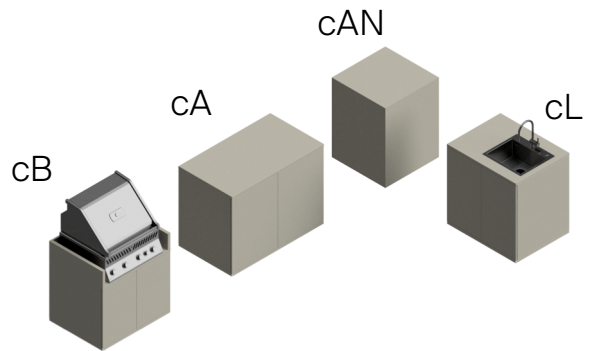
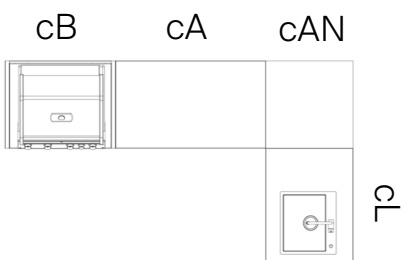
A



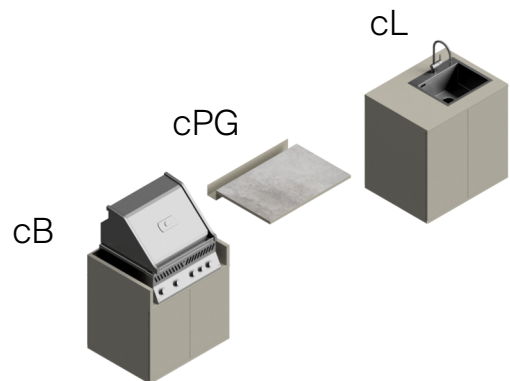
C



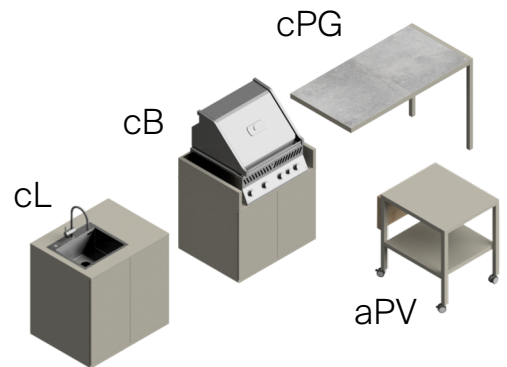
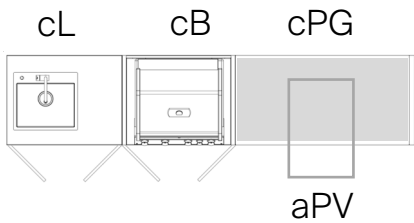
C



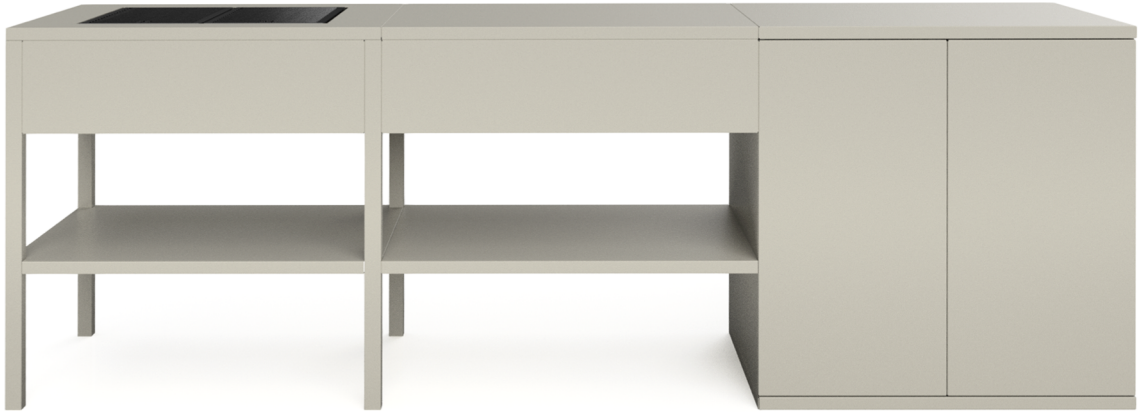
C



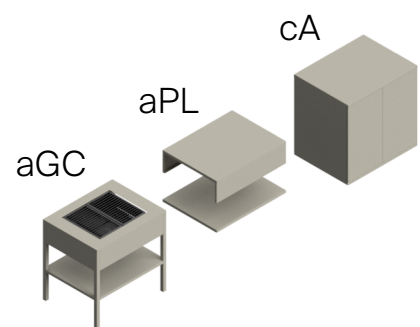
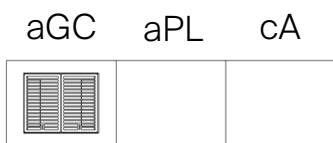
C



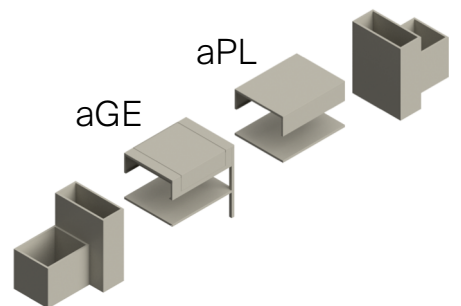
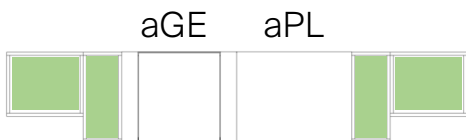
C



cAA



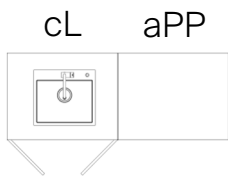
C



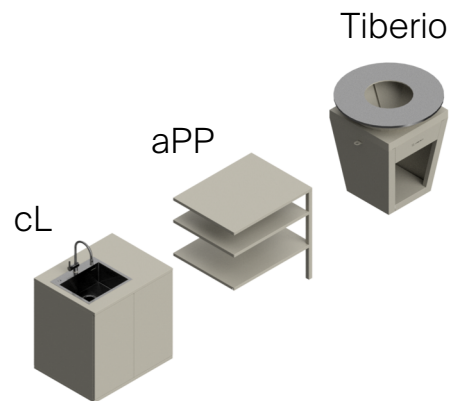
C



Modularte BBQ Catalog

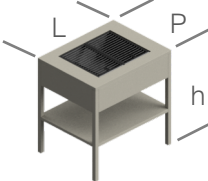
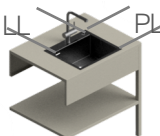

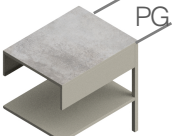
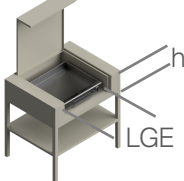
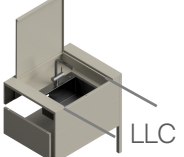
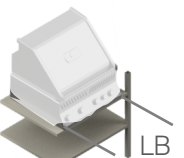
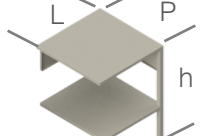
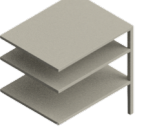
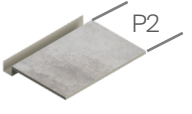



Tiberio



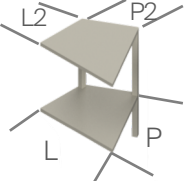

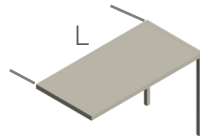
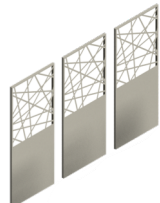

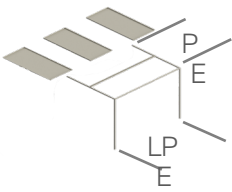
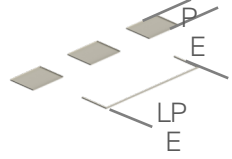
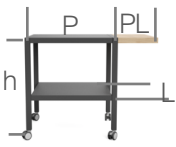


mod. A

based on
column | sides | worktop
assembled on site

| MODULES | | L | P | h | |
|---|-----|----|----|----|---------------------------------------|
|  | aGC | 90 | 70 | 90 | |
|  | aL | 90 | 70 | 90 | LL 50 - PL 45 |
|  | aPL | 90 | 70 | 90 | |
|  | aPG | 90 | 70 | 90 | PG 60 |
|  | aGE | 90 | 70 | 90 | LGE 60 - hGE 22 |
|  | aLC | 90 | 70 | 90 | LLC 60 |
|  | aPB | 90 | 70 | 90 | LB 80-90-100-110-120 |
|  | aA | 70 | 70 | 90 | |
|  | aPP | 90 | 70 | 90 | * <u>customization</u> = L on request |
|  | aRG | 90 | 70 | 90 | P2 60 |
|  | aRL | 90 | 70 | 90 | |

mod. A

based on
column | sides | worktop
assembled on site

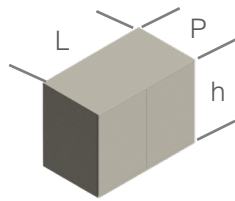
| | MODULES | L | P | h | |
|---|---------|-----|-----|-----|-----------------------------------|
|  | aAS | 70 | 70 | 90 | * <u>customization</u> = L2 - P2 |
|  | aTG | 140 | 70 | 90 | * <u>customization</u> = L |
|  | aTL | 140 | 70 | 90 | * <u>customization</u> = L |
|  | aF | 90 | | 220 | decor (Modularte catalog) |
|  | aFA | 70 | | 220 | decor (Modularte catalog) |
|  | aPE 200 | 270 | 200 | 220 | * <u>customization</u> = PE - LPE |
|  | aPE 70 | 270 | 70 | 220 | * <u>customization</u> = LPE |
|  | aPV | 60 | 70 | 70 | PL 30 |
|  | aLIT | 45 | 70 | 3,5 | |
|  | aBR | 40 | 40 | 45 | |

mod. C

the modules are designed to be independent

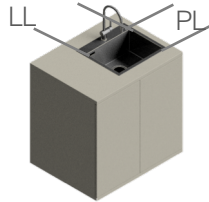
MODULES

L P h



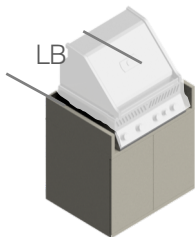
cA

90 70 90 option L 120



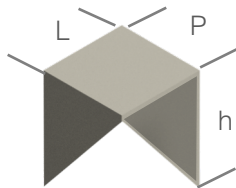
cL

90 70 90 LL 50 - PL 45
option L 120



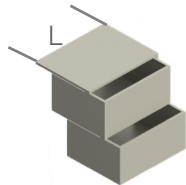
cB

90 70 90 LB 80-90-100-110-120



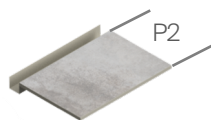
cA

70 70 90



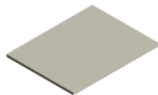
cCC

70 70 90



cRG

90 70 90 P2 60



aRL

90 70 90



cAA

90 70 150 on request
L 120 - 130 - 140
P 50 - 60
h 120 - 170 - 200



Deco 01



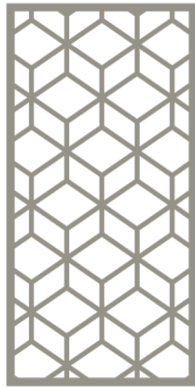
Deco 02



Deco 03



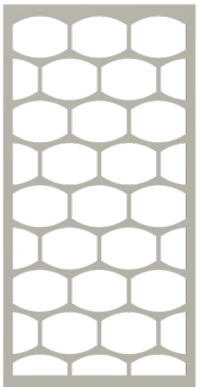
Deco 04



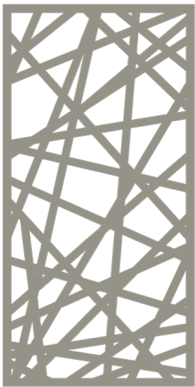
Deco 05



Deco 06



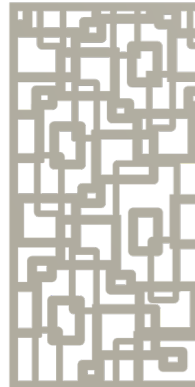
Deco 07



Deco 08



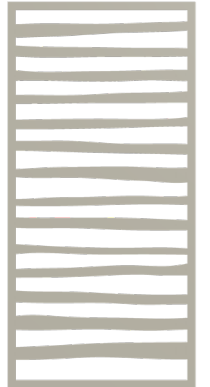
Deco 12



Deco 14



Deco 18



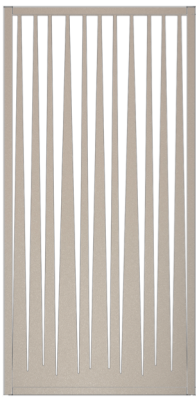
Deco 19



Deco 26



Deco 30



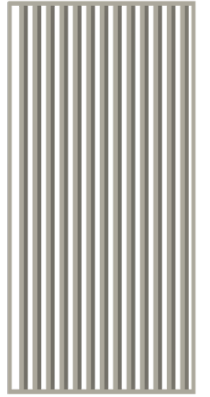
Deco 34



Deco 32



Deco B



Deco C

free combination of modules

costumization

adding elements over the course of the time

standard: powder-coated galvanized sheet metal

option: powder-coated stainless steel sheet (AISI 304 or 316)

colors



M1



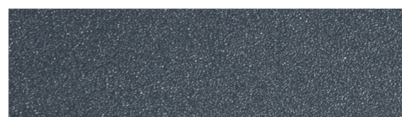
M2



B1



G2



G3



N1

quercus robur





www.modularte.it